



High-frequency transformer EEL25 Series

Parameters/Dimensions:

EEL25 Type 1

Information:

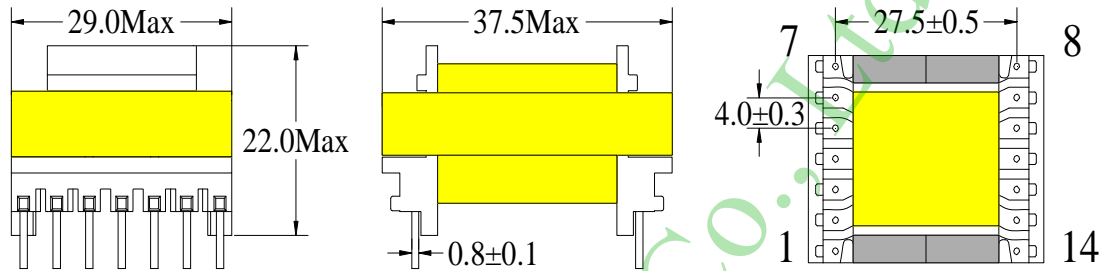
Shape:EEL25

1 Power: 54W

2 Mounting Orientation: Horizontal

3 Size: 29(W) * 37.5 (L) * 22(H)

4 Effective Ae (mm²): 41.0



EEL25 Type 2

Information:

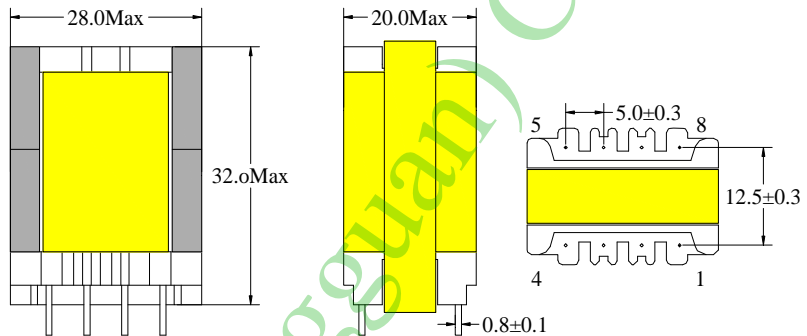
Shape:EEL25

1 Power:54W

2 Mounting Orientation: Vertical

3 Size: 28(W) * 20(L) * 32 (H)

4 Effective Ae (mm²): 41.0



EEL25 Type 3

Information:

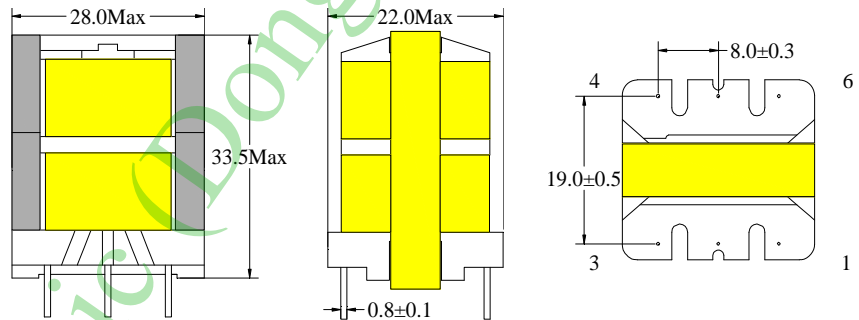
Shape:EEL25

1 Power: 54W

2 Mounting Orientation: Vertical

3 Size: 28(W) * 22 (L) * 33.5(H)

4 Effective Ae (mm²): 41.0



EEL25 Type 4

Information:

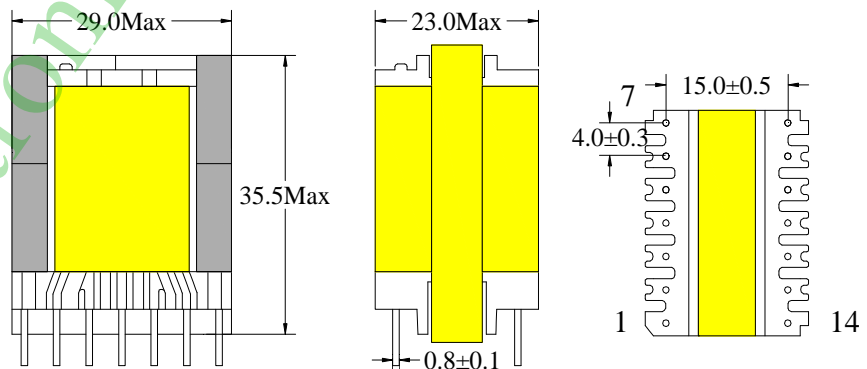
Shape:EEL25

1 Power: 54W

2 Mounting Orientation: Vertical

3 Size: 29(W) * 23 (L) * 35.5(H)

4 Effective Ae (mm²): 41.0



Note:

Bobbin type listed in the traditional style, transformer design parameters to customer needs or to inject prevail.

EEL series high-frequency transformer features:

Lead space, easy winding wire. Applicable to a wide range of high frequency, wide operating voltage range, output power, good thermal stability.

Uses:

Widely used in PBX power, LCD power supply, UPS power inverter power supply, computer power, energy-saving lamps and other fields